

Fig. 5: Actual-size, single-side PCB layout for the car security system with remote control

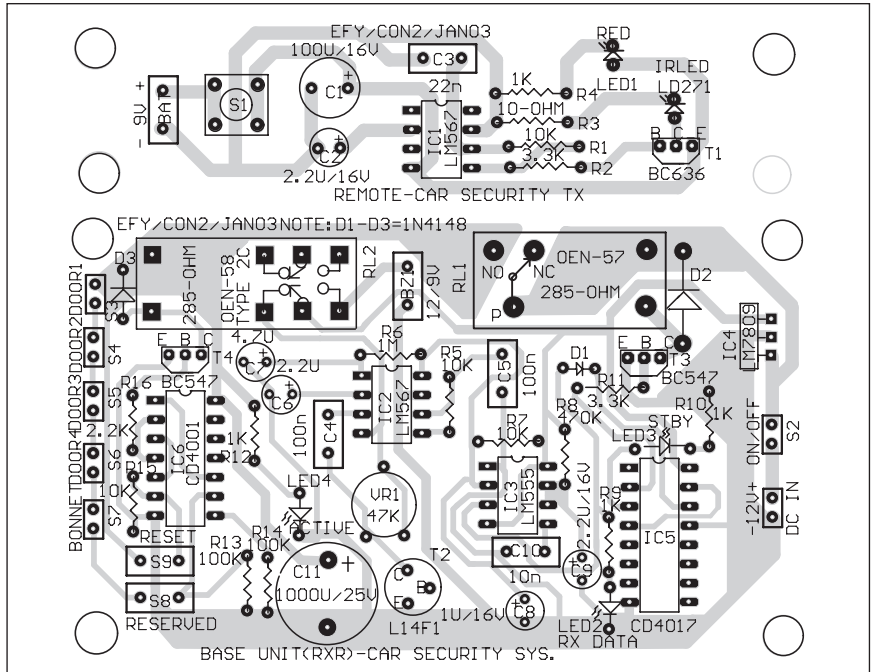


Fig. 6: Component layout for the PCB